

*imaginative engineering*



First of all, I wish you all the best for 2023, both for yourself and your loved ones. Last year was quite challenging. Covid-19 continued to affect our lives

early in the year, the terrible war situation in Ukraine has affected many areas and in addition to this, there have been many worries about the economy. As a result, we have seen long lead times on several parts and exceptional price increases, among other things. Where agreed delivery times were normal at ETF, regrettably, we often had to report delays to our customers in the past year. A positive trend was the number of cut-order machines which we received; higher than ever before.

In this ETF News, we want to tell you about the new generation of cut-order roll-up units. A great development that we have now realised with several clients, to improve roll handling and create better safety for operators.

Ruud Jeen is now enjoying his retirement after more than 30 years at ETF. His role has been filled by Jos Sloesen. In this edition, he is happy to introduce himself to you.

Are you already looking forward to the ITMA next year? We certainly are! Our preparations are already in full swing and we will tell you more about our novelties in the next edition of ETF News. If you are going to Domotex first, we look forward to seeing you there, too.

*Ruud Koppens, President*

IN THIS EDITION

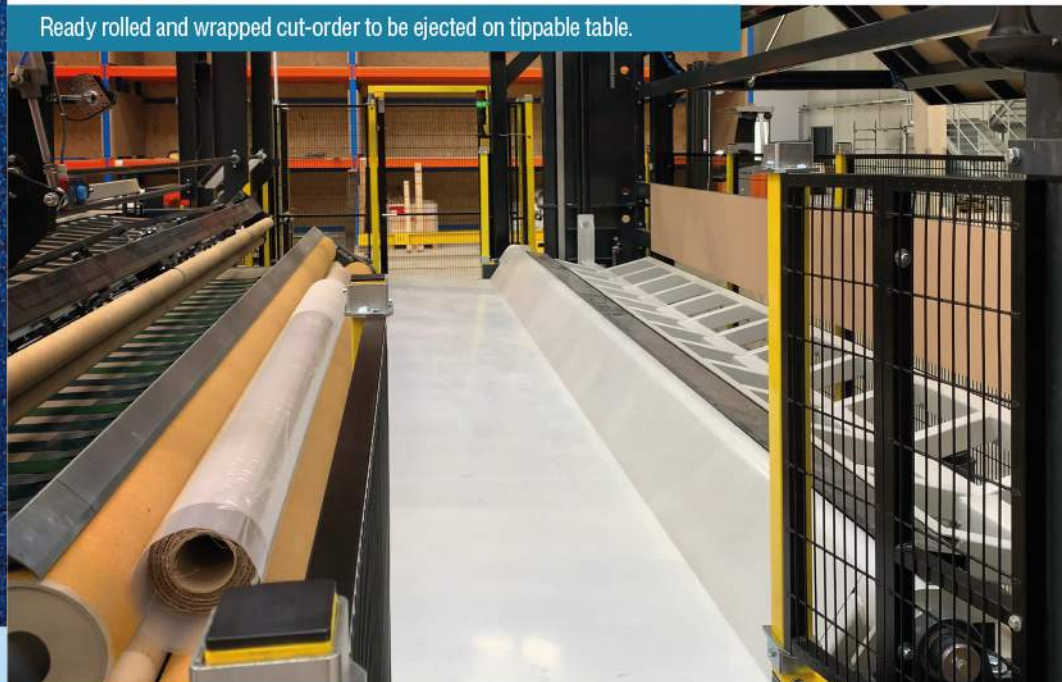
- Improved Roll-up unit for Cut-order machine M 5630
- A warm welcome to our new Director Sales & Marketing
- ETF is present at Domotex 2023
- New video available about M 5630 plus sorting system
- Spotlight on colleagues celebrating anniversaries

# Improved Roll-up unit for Cut-order machine type M 5630

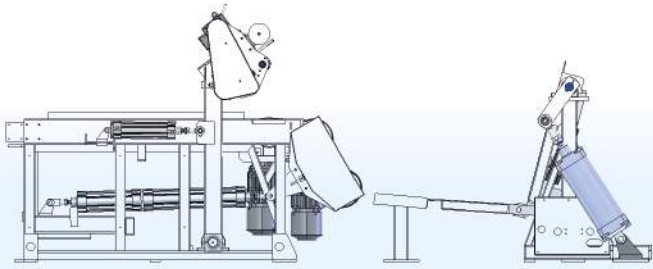
Having built over 150 Cut-order machines M 5630, we have plenty of practical experience with this type of machine. We always take customer feedback into consideration, and it often leads us to adapt future machinery. Now we have made a significant upgrade to make the machine safer to work with and more comfortable for the operator.

*Continue reading on the next page.*

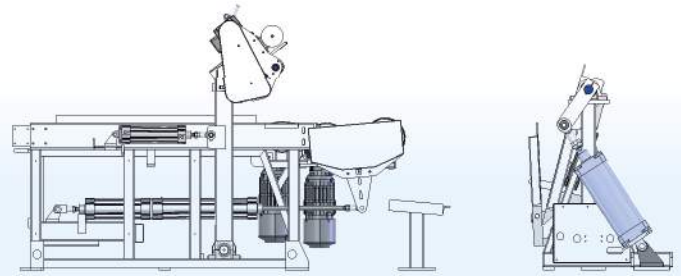
Ready rolled and wrapped cut-order to be ejected on tippable table.



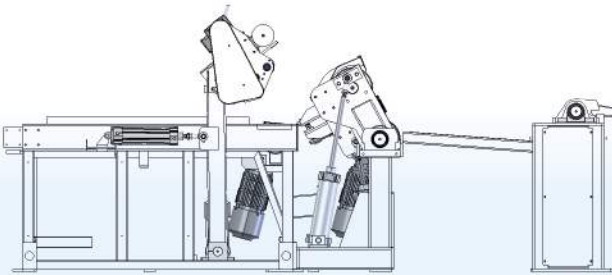
Continuation Improved Roll-up unit for Cut-order machine type M 5630



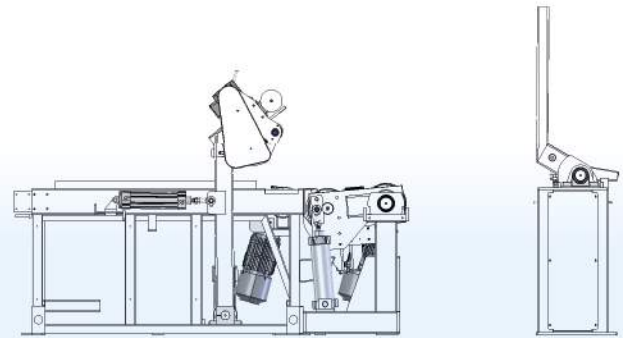
Situation before improvement Roll eject position



Normal operating situation



Situation after improvement Roll eject position



Normal operating situation



Mechanically locked tippable table in upper position.

**NEW FEATURES**

- Tippable table positioned at height.
- When the operator enters the area behind the roll-up, there will be no machine movement.

This upgrade of the M 5630 cut-order machine concerns the roll-up unit and how the cut-orders are handled after ejection.

The new generation, of which the first two systems have already been installed, ejects the ready-rolled and wrapped cut-order at roll-up height onto a tippable table positioned at height, to bring it e.g. to the discharge conveyor or elsewhere. In other words, dropping down and lifting it up again are now a thing of the past.

Thanks to this modification, the area behind the roll-up is fully accessible for any purpose. Needless to say, this is a safety-protected area, by means of photo-electric safety beams rather than the safety mat we used previously. When the operator enters this area, there will be no machine movements. In addition, dangerous trap hazards or obstacles on the floor are no longer an issue either. The tippable discharge table is mechanically locked once in the upper position to make sure that the operators have a safe passage way.

# A warm welcome to Jos Sloesen

## OUR NEW DIRECTOR SALES & MARKETING

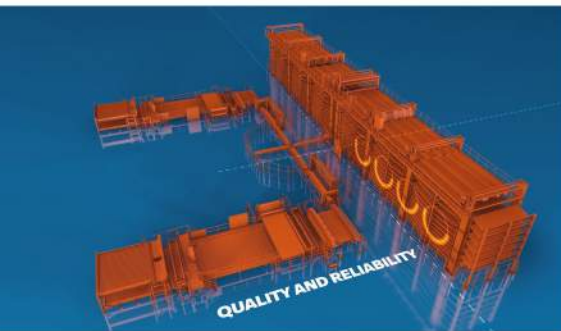
Jos Sloesen (56) joined the sales team as new Director Sales & Marketing of ETF Machinefabriek in March 2022. He took over the position from Ruud Jeen who – after 31 years in this role at ETF – has taken early retirement.

We feel that, with his experience and personality, Jos has exactly the right profile for becoming the intermediary between the market and ETF Machinefabriek.

In 1994, Jos obtained his master degree in Mechanical Engineering at the Technical University in Eindhoven and started a project management traineeship. When Jos realized that technical and consultancy sales are his passion, he moved to a sales department where he learnt the ropes of the sales profession. During the 25+ years that he has been in sales now, Jos has been engaged in

all aspects of sales and marketing of capital goods and long lead projects, and travelled the entire world extensively.

After a handover period with Ruud Jeen and an intense traineeship period, Jos is now the representative of ETF Machinefabriek for many regions including the Netherlands, part of Germany, and North and South America. Beside this direct sales role, Jos has, of course, an important role in leading the entire ETF sales and marketing team towards further business expansion. Welcome to the ETF team Jos, and good luck!



## Video about Cut-order machine M 5630 plus sorting system

Scan the QR-code and take a look at our new video about our Cut-order machine M 5630 plus sorting system.

# ETF is present at Domotex 2023

**DOMOTEX**

**12-15 January  
2023**

**Hannover  
Germany**

You can find us at booth no. A61 • hall 020

This world's leading exhibition in the field of floor coverings will take place at the exhibition site in Hannover, Germany from 12th to 15th January 2023.

DOMOTEX is the place where all the major floor covering suppliers come together each year to present their complete product range of floor coverings that are available worldwide.

ETF Machinefabriek B.V. will be participating in this important trade fair and you are most welcome to visit us at our booth number A61 in hall 020.

We look forward to seeing you there!



## Spotlight on colleagues celebrating anniversaries

It may have been a while ago, but we still want to celebrate our employees who have had work anniversary. Unfortunately, due to Covid-19 we were unable to celebrate them for a long time. In June of this year, we were finally able to give the 2020, 2021 and 2022 work anniversaries the attention and appreciation they so deserve. Based on the anniversaries we celebrated, it is safe to conclude that we have a large base of loyal employees:

<b>50 years</b>	Frans Cuijpers
<b>40 years</b>	Peter Sieben, Theo van Bommel and Wim de Borgie
<b>25 years</b>	Truus van Loon, N. van Veghel
<b>12.5 years</b>	Roger Peeters, Kristof Truyers and Luuk Rumen

Ruud Koppens heaped praise on these employees at a lovely party location and put them in the spotlight. Afterwards, all the jubilarians and their families, and all ETF colleagues with partners enjoyed a delicious dinner together.

ETF is proud to have had these people on their team for so long!



### ETF Machinefabriek B.V.

Randweg-Zuid 11  
6031 SX NEDERWEERT, the Netherlands  
Phone +31 (0)495.677000  
E-mail sales@etf.nl  
www.etf.nl

### ETF-USA Corporation

P.O. Box 2506  
DALTON, GA 30722, USA  
Phone +1 (706) 278 1511  
E-mail harrell@windstream.net

## ITMA MILAN 2023



ITMA 2023 returns to Milan from 8-14 June as the leading global sourcing exhibition dedicated to latest textile and garment technologies and solutions. Of course ETF will participate! All hands on deck now to prepare for the show. Make sure you read our upcoming ITMA Special!

ITMA 2023

ETF

imaginative engineering