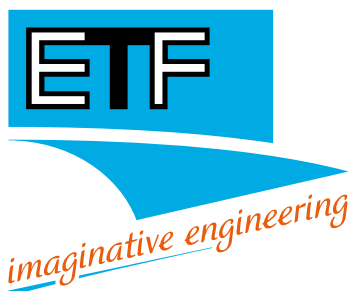


Product Catalogue

ETF Machinefabriek



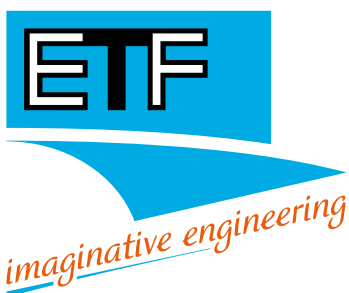
**Machines for the floor covering
and non-woven industry**

www.etf.nl



ETF Machinefabriek designs and manufactures machines for inspection, cutting, rolling, packaging, transporting and sorting of a wide range of different floor coverings and non-wovens. Our machines are suitable for a multitude of utilisations and are designed to offer you an all-in-one solution. Our machines can also include smart customised process automation to decrease the amount of waste material and to reduce the number of operators to an absolute minimum or to extend the working range to the max.

Ingeniously designed for your needs



Our skilled sales team will help you to specify your exact requirements and to integrate the new addition seamlessly with your existing machines and processes. Our team of highly experienced engineers will then elaborate one of our proven concepts into the machine that will enhance your production process. Even when you ask the seemingly impossible, we will come up with a solution. Working worldwide; online and with qualified service engineers to solve any problem you may encounter; quickly and accurately.

ETF machines are all designed and installed under the highest quality and latest CE safety standards.

Would you like to know how we can help you optimising your processes, please visit www.etf.nl for the contact details of our nearest sales support team.



PAGE

PAGE

Rolling & end-of-line machines



M 5300	End-of-line carpet / grass	02	M 5724	Automatic rolling machine	06
M 6300	End-of-line vinyl	03	M 6720	Automatic rolling machine, vinyl	07
M 3300	End-of-line non-woven	04	M 5720	Semi-automatic rolling machine	08
M 5150	Accumulator	05	M 5728	Versatile rolling machine	09

Offline inspection machines



M 5620	Re-rolling and inspection	10	M 6610	Offline vinyl re-rolling and inspection	11
--------	---------------------------	----	--------	---	----

Measuring & detection units



M 2622	Optical length measuring unit	12	M 2620	Electronic length measuring unit	13
--------	-------------------------------	----	--------	----------------------------------	----

Cutting machines



M 5420	Allround cutting machine	14	M 5630	Cut length machine high volume	17
M 5635 & M 6605	Cut length machines low volume	15	M 5522	Sample cutting machine	18
M 5632	Cut length machine medium volume	16	M 5531	Carpet bevelling unit	19

Cutting units



M 2450	Edge cutter	20	M 2422	Slitting unit	23
M 2460	Edge chopper	21	M 2425	Slitting knife	23
M 2410	Cross cutting unit	22	M 3021	Crush slitting unit	24

Packaging machines



M 5230	Ultrasonic roll end sealing unit	25	M 2210	Tape dispenser	28
M 6200	Automatic roll wrapping machine	26	M 2213	Tacker beam	28
M 5727	Rug rolling and wrapping machine	27	M 2220	Seal beam	28

Logistic systems



M 5900	Logistic systems	29	M 5940	Roll sorting systems	30
--------	------------------	----	--------	----------------------	----

Special machines



M 6430	Vinyl sawing machine	32	M 5220	Off line wrapping machine	33
M 9630	Lead slitting & rolling machine	32	M 5523	Cut & stack machine	33
			M 6325	Re-rolling machine for conveyor belt material	33



Optimised roll preparation

The ETF end of a carpet backing line is an extensive installation that optimises your preparation of wrapped rolls. It is a smart combination of accumulation, inspection, cutting, rolling and wrapping; all controlled through one common plc-program which guarantees maximum flexibility. The integration of a fault registration and optimisation system increases the number of first quality rolls and therefore drastically decreases the number of short rolls. The total backing line extension can be controlled by only one operator and one inspector.

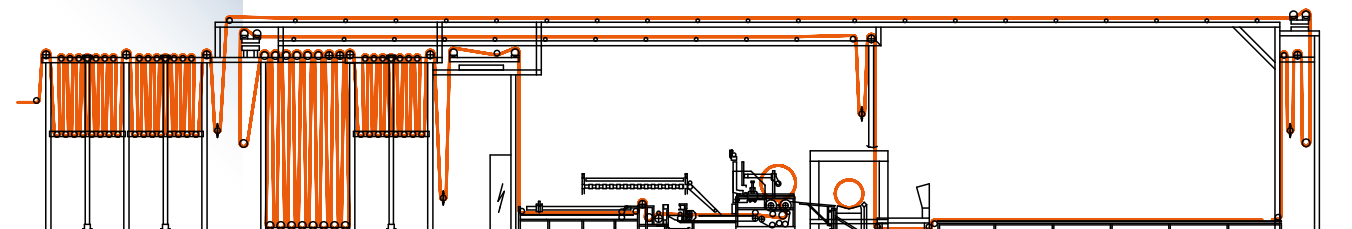
FEATURES & OPTIONS

- | | |
|--|---|
| • Width guided edge cutting system M 2450 | • Carpet rolling machine M 5720, M 5728 or M 5724 |
| • Edge choppers M 2460 to save volume of waste | • Automatic tube feed (also for multiple width tubes) |
| • Accumulator M 5150 for temporarily carpet storage | • Automatic roll transport system M 5900 |
| • Controlled dancing roller for excellent tension control | • Ultrasonic sealing unit M 5230 to close roll ends automatically |
| • Inspection section, controlled independently of the remaining line | • Automatic roll sorting system M 5940 |
| • Material guiding (position control) | • Integration in line & mainframe communication |



M 5300

End of a carpet backing line





All-in-one roll preparation

The ETF end of a vinyl production line is an extensive installation that optimises your preparation of wrapped rolls. It is a smart combination of accumulation, inspection, cutting, rolling and wrapping; all controlled through one common plc-program which guarantees maximum flexibility. The integration of a fault registration and optimisation system increases the number of first quality rolls and therefore drastically decreases the number of short rolls. This outlet line can be controlled by only one operator and one inspector.

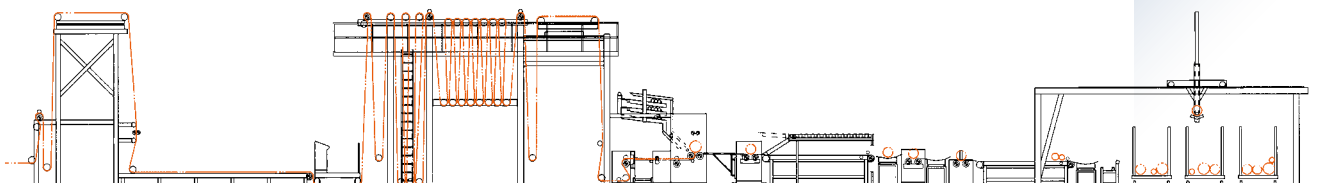
FEATURES & OPTIONS

- Width guided edge cutting system M 2450
- Edge choppers M 2460 to save volume of waste
- Accumulator M 5150 for temporarily carpet storage
- Controlled dancing roller for excellent tension control
- Material guiding (position control)
- Inspection section, controlled independently of the remaining line
- Automatic rolling machine M 6720
- Automatic roll transport system M 5900
- Automatic roll sorting system M 5940
- Integration in line & mainframe communication



End of a vinyl production line

M 6300





Smart roll preparation

The ETF end of a non-woven production line is an extensive installation that optimises your preparation of wrapped customer rolls. It is a smart combination of accumulation, inspection, cutting, and rolling; all controlled through one common plc-program which ensures maximum flexibility.

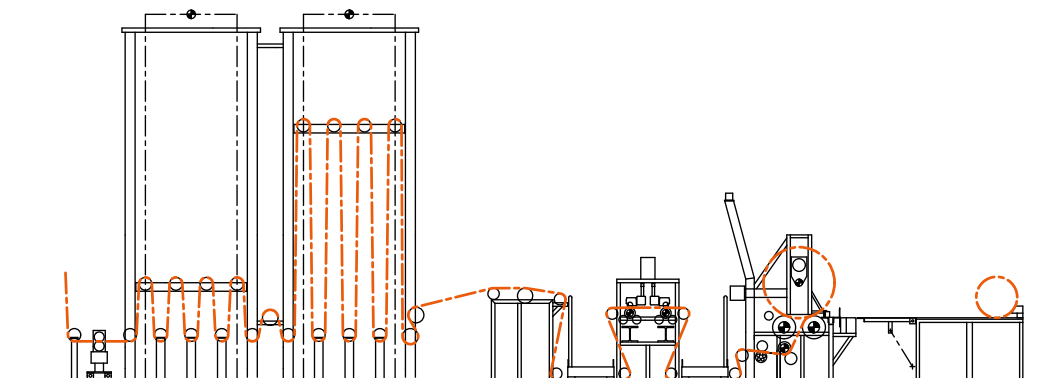
FEATURES & OPTIONS

- | | |
|--|---|
| • Width guided edge cutting system M 2450 | • Rolling machine M 5720 or M 5728 |
| • Edge choppers M 2460 to save volume of waste | • Automatic tube feed (also for multiple width tubes) |
| • Accumulator M 5150 for temporarily carpet storage | • Glue system for automatic adhesion of the material to the core or to close the roll |
| • Controlled dancing roller for excellent tension control | • Offline automatic wrapping system |
| • Inspection section, controlled independently of the remaining line | • Automatic roll transport system M 5900 |
| • Material guiding (position control) | • Integration in line & mainframe communication |



M 3300

End of non-woven production line





Robust in-line storage

The ETF accumulator provides storage within a continuous production line for various materials. It avoids an interruption of the continuous production process. This accumulator can be supplied with a moving upper- or lower bridge, a comb construction or a shaft drive. Several systems are available to counter balance the weight of the moving bridge, keeping the material tension to a minimum.

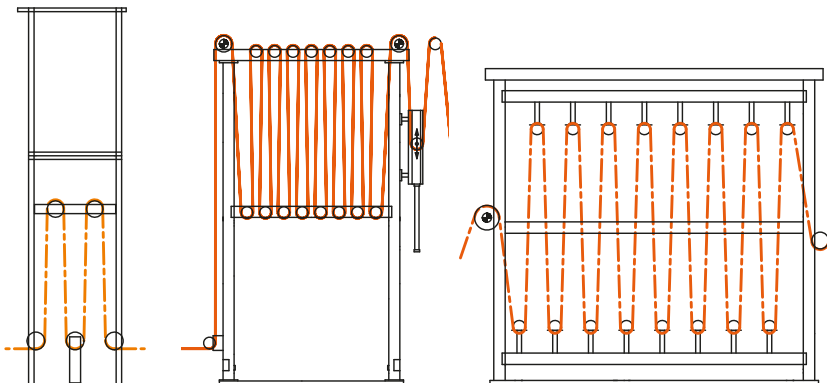
FEATURES & OPTIONS

- Robustly constructed frame
- Synchronised horizontal bridge movement
- Driven inlet and outlet roller
- Motor controlled weight regulation on bridge
- Controlled dancing roller for excellent tension control
- Accumulator speed control system
- Aluminum/Driven rollers for tension sensitive materials
- Load cells for automatic tension control



Accumulator

M 5150





With minimum operators, maximum flexibility

The ETF fully-automatic rolling unit can be installed at the end of any carpet production line. This comprehensive machine can be operated by just one operator. Advanced design of the feed section together with the lapping bridge guarantees problem free winding, pile in or pile out, and wrapping of all carpet qualities. The special design of this rolling machine ensures perfectly straight and tightly-wound rolls and short cycle times. The rolling process of this machine starts fully automatic.

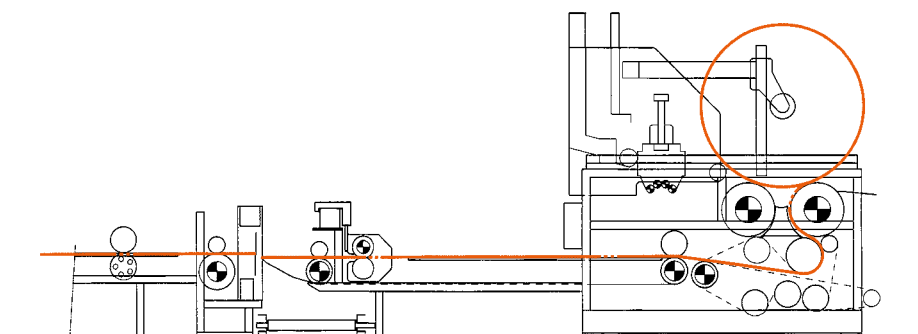
FEATURES & OPTIONS

- | | |
|---|---|
| • Electronic (optical) length measuring device M 2620 / M 2622 | • Pneumatically pivoting side guiders |
| • Bi-directional fast cross cutter M 2410 | • Automatic tube feed (also for multiple width tubes) |
| • Automatic cut out of marked parts, like seams or rejects | • Film dispenser for in-line wrapping |
| • Slitting unit(s) M 2422 | • Wrapping of split rolls |
| • Both rollers independently driven for tight rolling and speeds up to 200 m/min. | • Tacker beam M 2213 to fix the film to the material |
| • Dual lapping bridge for handling broad range of material thicknesses/two core diameters | • Heat seal beam M 2220 or automatic tape dispensers M 2210 to close the wrapped roll |
| | • Automatic roll ejection |



M 5724

Fully-automatic rolling machine





Efficient rolling, easy operation

The ETF fully-automatic vinyl rolling machine guarantees straight and tightly-wound rolls. It can be installed both on-line at the end of a production line or stand alone behind an inspection section. The machine is available for material widths of 2 up to 5 meter.

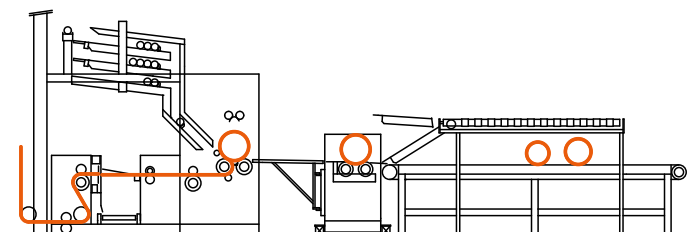
FEATURES & OPTIONS

- | | |
|--|--|
| • Electronic (optical) length measuring device M 2620 / M 2622 | • Automatic tube feed (also for multiple width tubes) |
| • Bi-directional fast cross cutter M 2410 | • Wrapping system for automatic film or paper wrapping |
| • Automatic cut out of marked parts, like seams or rejects | • Wrapping of split rolls |
| • Slitting unit(s) M 2422 | • Folding unit & bung press |
| • Special shaped rubber rollers to avoid sticking of vinyl | • Automatic tape dispensers M 2210 to close the roll |
| • Pneumatically pivoting side guiders | • Automatic roll ejection |



Fully-automatic vinyl rolling machine

M 6720





Maximum flexibility in handling materials

The ETF semi-automatic rolling machine can be installed at the end of any floorcovering production line. It produces either large or small rolls, rolled pile in or pile out. Whatever needed at any given time. The special design of this rolling machine ensures perfectly straight and tightly-wound rolls. The rolling process must be started manually by one or two operators.

The semi-automatic rolling machine can be modified for usage with artificial grass or very light weight materials. For that purpose it will be fitted with a centre drive system or push roller. This ensures the creation of a compact, round roll which makes handling and transportation of the roll a lot easier.

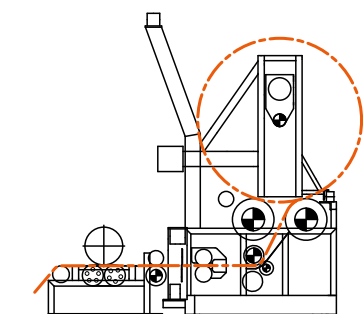
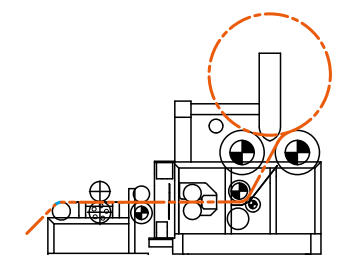
FEATURES & OPTIONS

- | | |
|---|--|
| • Electronic (optical) length measuring device M 2620 / M 2622 | • Electronically width guided |
| • Bi-directional fast cross cutter M 2410 | • Automatic tube feed (also for multiple width tubes) |
| • Slitting unit(s) M 2422 | • Pneumatically pivoting side guiders |
| • Automatic feed up of material between main rollers | • Centre drive system or push roller to create tight rolls of non wovens or artificial grass |
| • Both rollers independently driven for tight rolling and speeds up to 100 m/min. | • Film dispenser for in-line wrapping |
| | • Automatic roll ejection |



M 5720

Semi-automatic rolling machine





Straight and tight rolls, no matter the material

The ETF versatile rolling machine ensures straight and tightly rolled rolls. It can be installed immediately at the end of a continuous or intermittent production line. Due to its modular design it can easily be (retro) fitted with e.g. a special centre drive system or push roller to also roll artificial grass and non-wovens to very tight rolls.

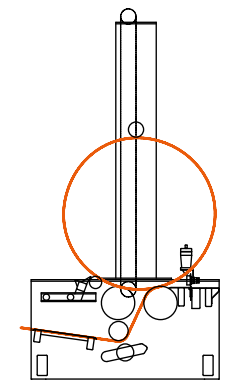
FEATURES & OPTIONS

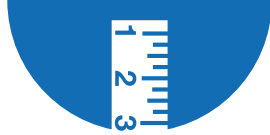
- Electronic (optical) length measuring device M 2620 / M 2622
- Single direction fast cross cutter M 2410
- Slitting unit(s) M 2422
- Crush slit(s) M 3021
- Both rollers independently driven for tight rolling and speeds up to 100 m/min
- Electronically width guided
- Adjustable main rollers for several tube diameters
- Automatic tube feed (also for multiple width tubes)
- Glue system for automatic adhesion of the material to the core
- Manually or pneumatically operated side guiders
- Centre drive system or push roller to create tight rolls of non wovens or artificial grass
- Automatic roll ejection



Versatile rolling machine

M 5728





Slitting and inspection in one go

With the ETF re-rolling & inspection machine large rolls can be easily inspected and re-rolled. This machine ensures straight and tightly-wound rolls and can be used for pile in and pile out (un)rolling. Optionally it divides large rolls into a desired length and width using a fast bi-directional cross-cutter and one or more longitudinal cutting units.

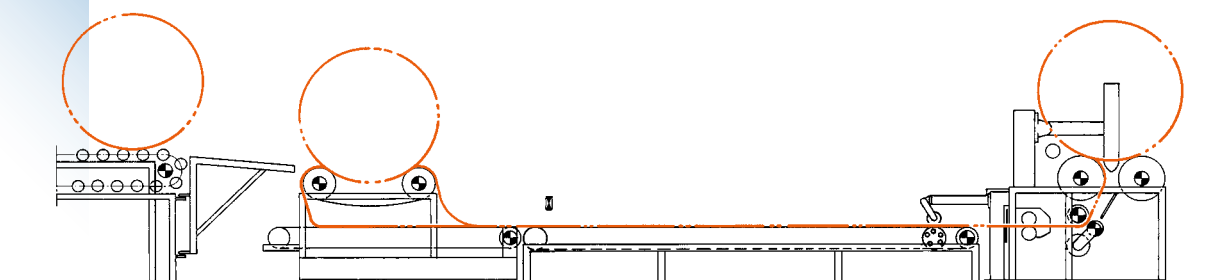
FEATURES & OPTIONS

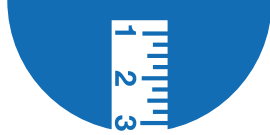
- | | |
|---|--|
| • Roll supply table | • Slitting system with one or more slitting units M 2422 |
| • Electronically width guided unrolling cradle | • Tube dispenser |
| • Pneumatically operated arms to unroll bad wound rolls from the centre | • Carpet rolling machine M 5720 or M 5724 |
| • Inspection table with driven belts | • Film dispenser for in-line wrapping |
| • Inspection platform overhead the inspection table | • Roll discharge table |
| • Electronic (optical) length measuring system M 2620 / M 2622 | |



M 5620

Re-rolling & inspection machine





Optimised offline roll preparation

This ETF offline vinyl finishing line is an economic and efficient way of preparing straight and tightly wrapped rolls from a jumbo roll. It is a smart combination of inspection, cutting, rolling and wrapping; all controlled through one common plc-program which ensures maximum flexibility. The vinyl can be taken from an A-frame or an cradle. The line can be controlled by only one or two operators.

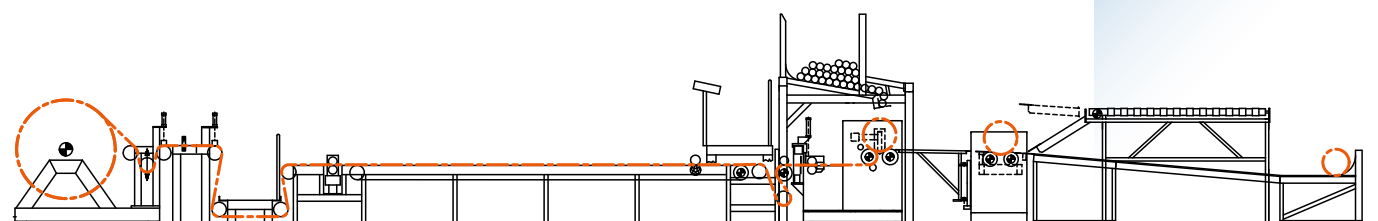
FEATURES & OPTIONS

- | | |
|--|---|
| • Width guided A-frame with dancing roller for excellent tension control | • Slitting system with one or more slitting units M 2422. E.g. to divide 4m to 2x2m width |
| • Edge cutting system M 2450 | • Offline automatic wrapping system |
| • Edge choppers M 2460 to save volume of waste | • Folding system for roll end closing |
| • Splice table with operator platform | • Roll weighing system |
| • Inspection table with driven belts | • Automatic roll transport system M 5900 |
| • Fully automatic vinyl rolling machine M 6720 | • Automatic roll sorting system M 5940 |



Offline vinyl finishing

M 6610



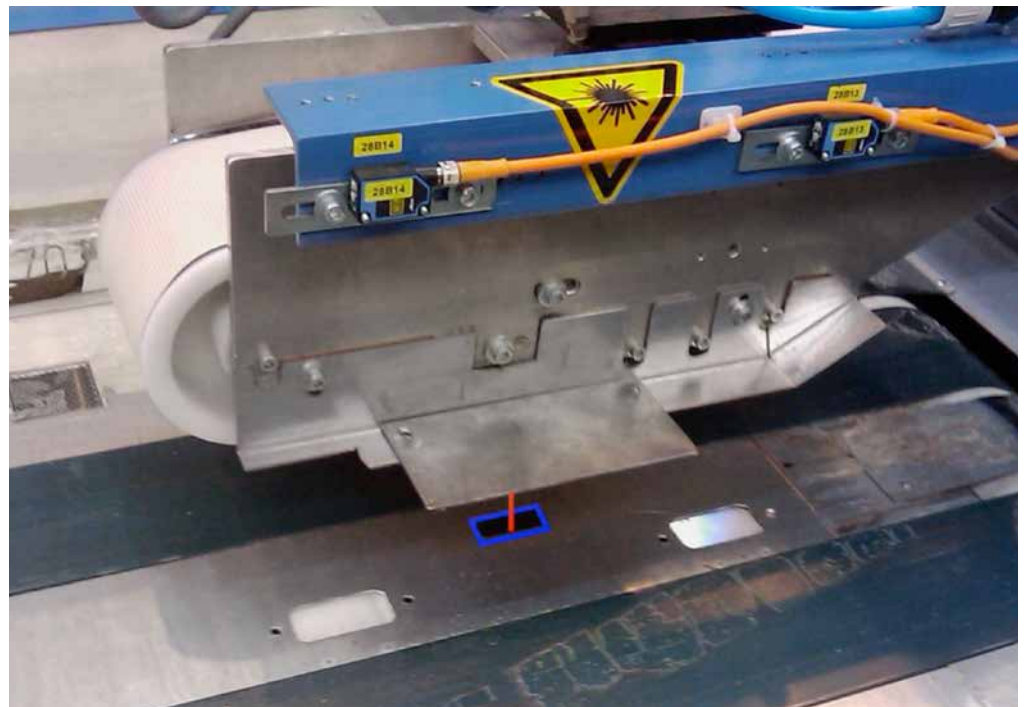


Laser measuring for maximum accuracy

With the optical length measuring system a measuring accuracy of even better than 0.15% can be achieved. Measuring is done by a laser which can measure any material in both directions on the fly. Since the laser is not in direct contact with the material the measurement will not be influenced by e.g. a moment of inertia, a slip of the wheel or dirt on the contact surface.

FEATURES & OPTIONS

- MID (Measuring Instruments Directive) approved
- No wear and tear
- Automatic laser lens cleaning
- Driven belt next to laser to flatten curl at starting edge in offline operation



M 2622

Optical length measuring unit





Smart measuring systems

ETF offers you a measuring solution that is both very accurate and communicates on ethernet interfacing. This microchip controlled device operates with a measuring wheel and guarantees an accuracy better than 0.5%. Measuring is done at the backside of the material.

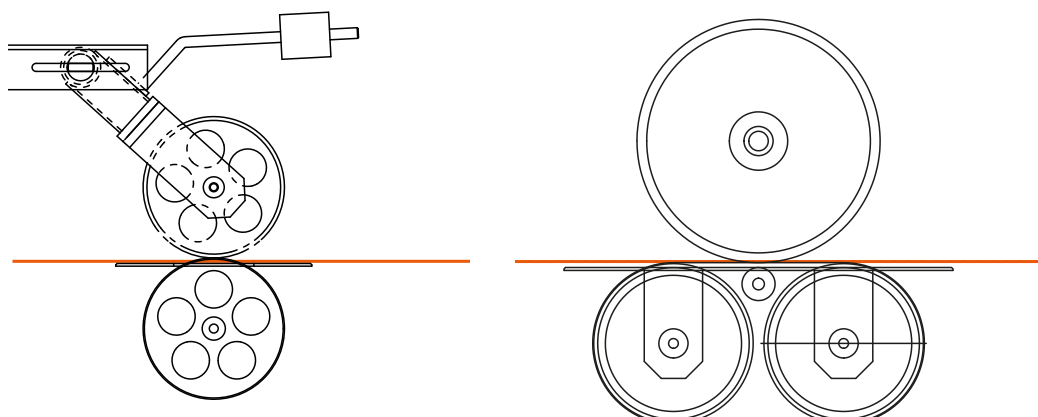
FEATURES & OPTIONS

- Driven belt next to measuring wheel to flatten curl at starting edge
- Additional measuring wheel for measuring both carpet and vinyl
- Control unit with display and keypad
- Set length and measured length read out
- Slow down signal generated prior to stop signal
- Automatic machine stop at set length
- Controllable through a mainframe



Electronic length measuring unit

M 2620





Accurate and versatile cutting

The ETF all round cutting machine is perfectly suited for splitting carpet rolls into rugs, runners, doormats, aircraft carpet or rolls for a sample department. The pieces are cut to a high degree of precision for the full length.

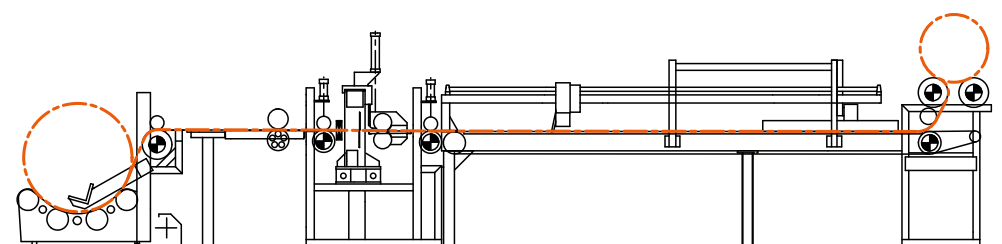
FEATURES & OPTIONS

- | | |
|---|---|
| • Width guided unrolling cradle | • Manual or automatic width adjustment of slitting units |
| • Adjustable side guides in unrolling cradle | • Width guiding system on slitting beam |
| • Pneumatically operated arms to unroll bad wound rolls from the centre | • Pneumatically operated push rollers before and after slitters |
| • Electronic length measuring system M 2620 | • Table with driven belts at discharge side |
| • Adjustable length stop | • Simple rolling unit |
| • Bi-directional fast cross cutter M 2410 | |
| • Slitting units M 2422 | |



M 5420

All round cutting machine





Efficiency through cutting support

These efficient ETF compact cut length machines can handle all carpet, artificial grass or vinyl qualities. It is the ideal support to produce up to 100 cut orders per shift with only one operator. The M 5635 is suitable to handle all floor covering qualities up to 5 meters wide.

The M 6605 can handle vinyl up to 2 meters wide and is supplied including tilting devices for handling vertical stored rolls.

FEATURES & OPTIONS

M 5635

- Mounted on wheels (mobile)
- Automatic cross cutter M 2410

M 6605

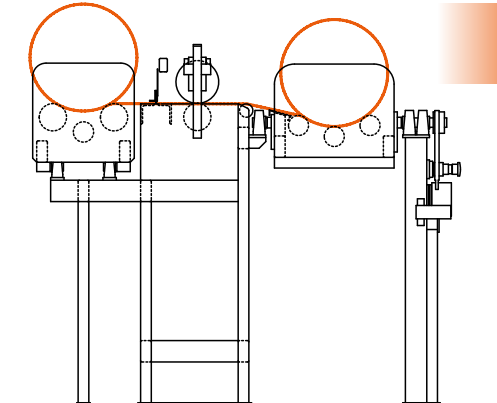
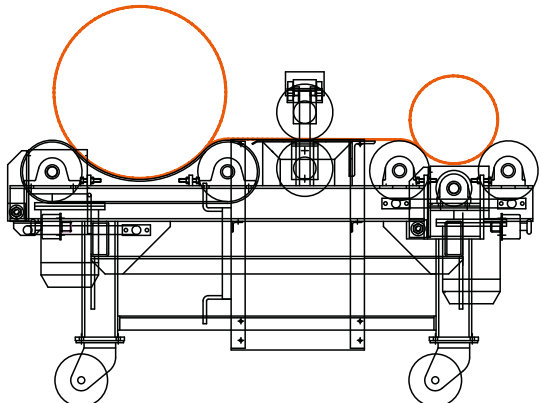
- Automatic cross cutter M 2410



Compact cut length machines

M 5635

M 6605





Cost effective flexibility

This cost effective ETF cut length machine handles all carpet and vinyl qualities. It produces up to 200 customer rolls per 8-hour shift: wrapped or unwrapped. Depending on the degree of automation the machine can be operated by only one or two operators.

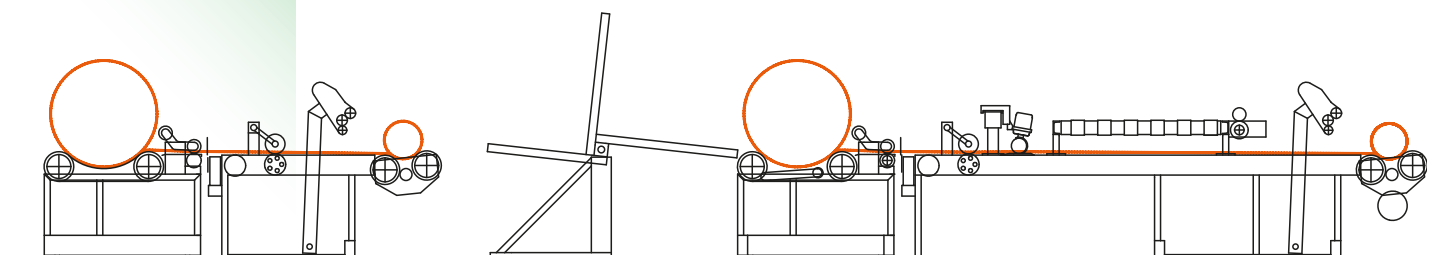
FEATURES & OPTIONS

- Supply and discharge table for parent rolls
- Width guided unrolling cradle
- Single direction or bi-directional cross cutter M 2410
- Inspection table with driven belts
- Electronic length measuring system M 2620
- Slitting units M 2422 / M 2425
- Rolling unit for pile in rolling
- Ejectors for both the unrolling cradle and rolling unit
- Automatic online wrapping system
- Automatic roll transport system M 5900
- Ultrasonic sealing unit M 5230 to close roll ends automatically
- Automatic roll sorting system M 5940



M 5632

Cut length machine medium volume





High volume at minimal costs

This most cost effective ETF cut length machine handles all carpet and vinyl qualities. It produces a maximum of 500 customer rolls per 8-hour shift. Wrapped or unwrapped. The high degree of automation means that only one operator is needed. This cutting machine is very complete as it comes with quite a few extras compared to its smaller version the M 5632 a robust supply and discharge table, a tippable unrolling cradle, a bi-directional fast cross cutter and automatic ejection of the rolled cut length.

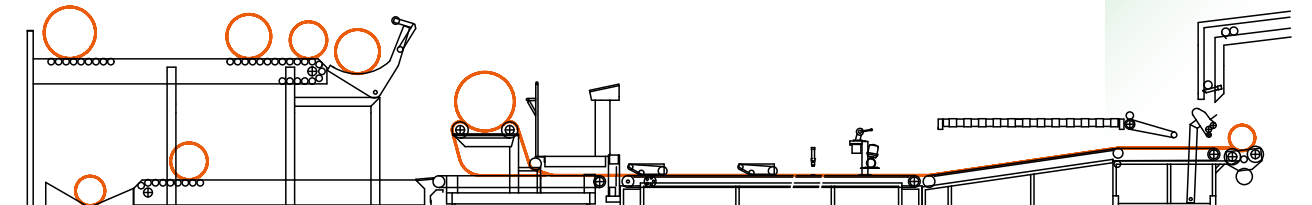
FEATURES & OPTIONS

- Width guided unrolling cradle
- Bi-directional fast cross cutter M 2410
- Rectangular form cutting system
- Inspection table with driven belts
- Second inspection table to improve efficiency
- Operator platform over the full width of inspection table
- Electronic (optical) length measuring system M 2620 / M 2622
- Slitting units M 2422 / M 2425
- Automatic turning unit for short pieces
- Rolling unit for pile in rolling
- Automatic online wrapping system
- Automatic tube dispenser
- Automatic roll transport system M 5900
- Ultrasonic sealing unit M 5230 to close roll ends automatically
- Automatic roll sorting system M 5940



Cut length machine

M 5630



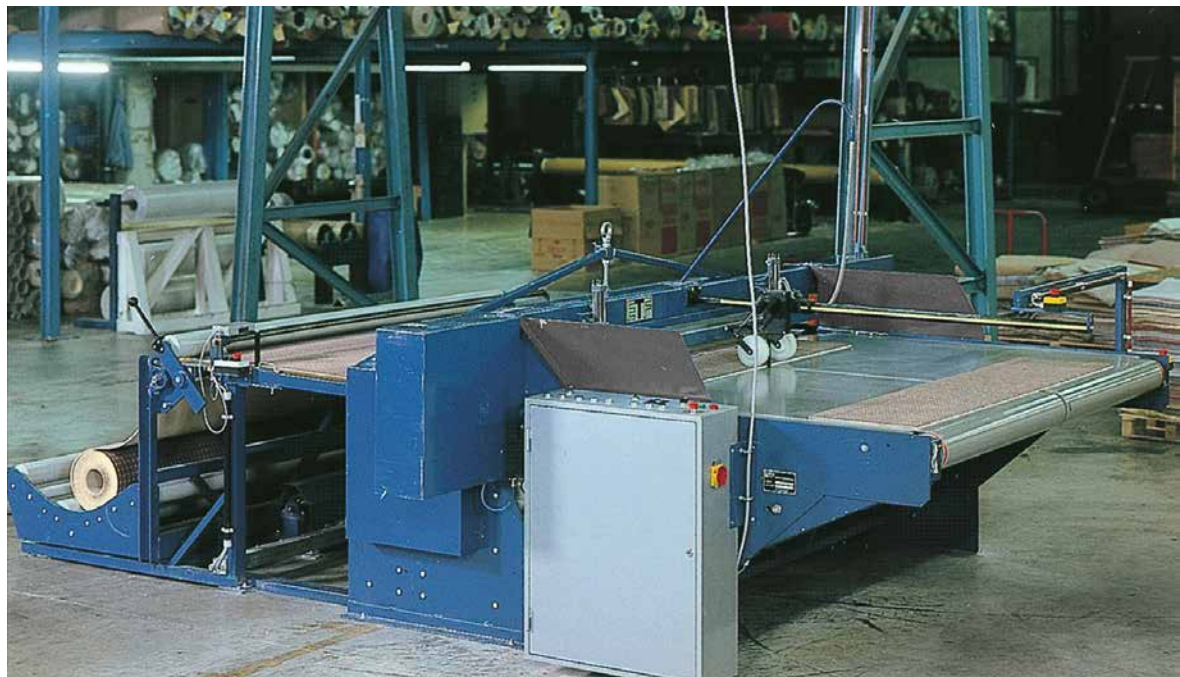


Smart sample cutting

A perfectly presented sample sells your floorcovering. So investing in the ETF sample cutting machine is a wise decision. It operates very quickly and reliably for any kind of carpet, needle felt or vinyl. The machine produces cut samples with a minimum dimension of 5x13 cm (w x l) with an accuracy of better than 1 mm. Operation costs are lower as no dies are required.

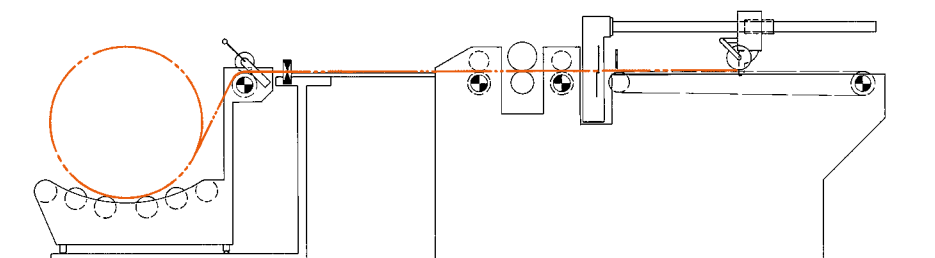
FEATURES & OPTIONS

- Required number of samples can be set
- Width guided unrolling cradle
- Adjustable length stop
- Quickly exchangeable slitting beam
- Double action cross cutter M 2410 with clamping beam
- Conveyor system to discharge samples



M 5522

Sample cutting machine





Carpet sample enhancement

For manual bevelling of small carpet sample quantities ETF offers this table mounted bevelling unit M 5531. It neatly finishes the sides of carpet samples of various qualities.

FEATURES & OPTIONS

- Adjustable bevelling angle
- Up and down moving shearing cylinder for extended lifetime
- Fusing unit to melt backing cloth yarn behind a shearing cylinder



Carpet bevelling unit

M 5531

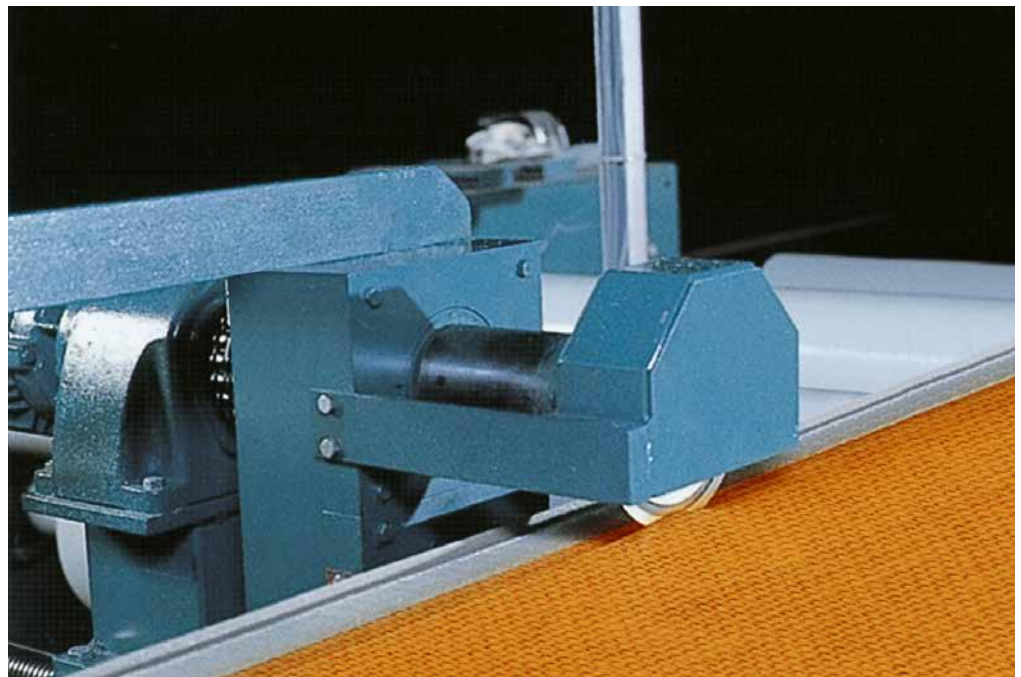


Everlasting knife quality

The ETF edge cutter offers problem free trimming of selvages by centrally width adjustable cutting heads. Each cutting head operates with a set of separately driven circular, long-lasting knives \varnothing 132 mm which can be individually fine adjusted in width. This edge cutter can be provided with a vision system which detects the selvage or the print pattern and uses this information to control the position of the cutting heads. This contributes to the reduction of the carpet-edge width and the subsequent quantity of yarn wasted.

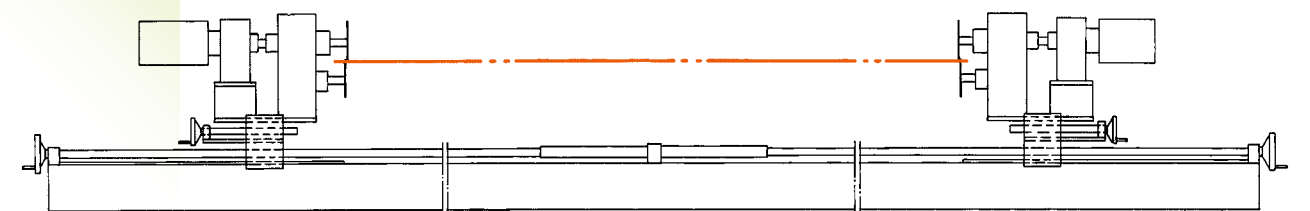
FEATURES & OPTIONS

- Motor controlled width adjustments
- Centre line adjustment
- Double executed version in order to keep the line running during knife exchange



M 2450

Edge cutter



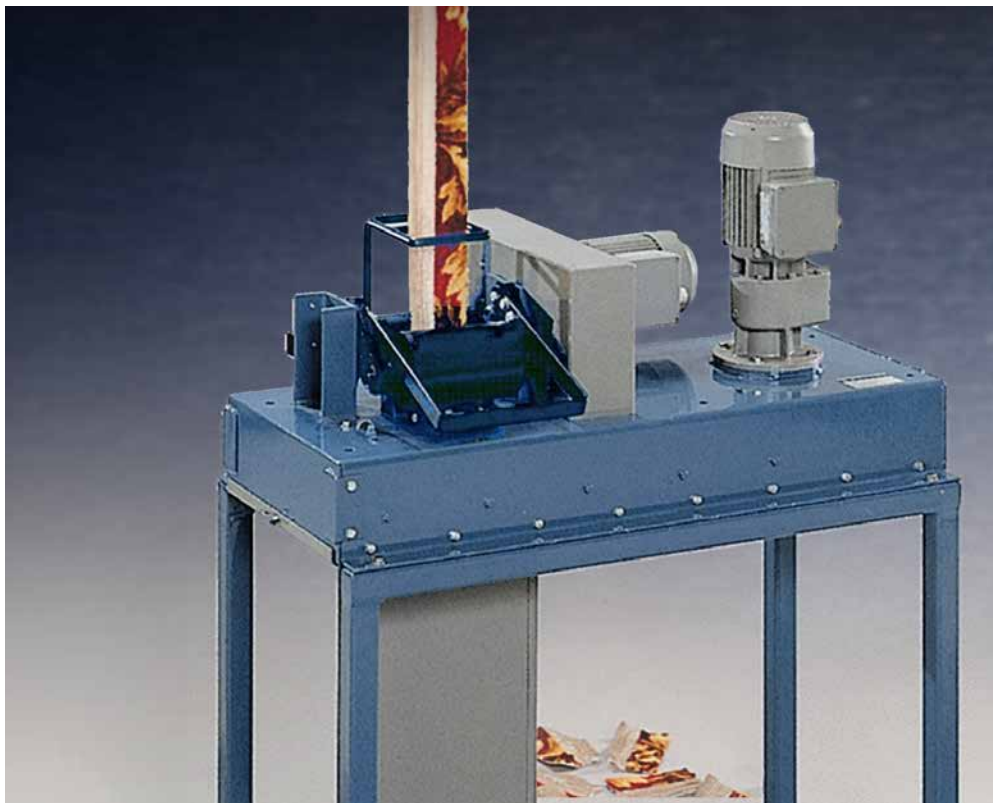


Waste volume reduction

Save up to 50% on your waste volume by using an ETF edge chopper! It chops your carpet edges into 10-15 cm lengths. Simple and efficient. This unit can be integrated with your waste disposal system.

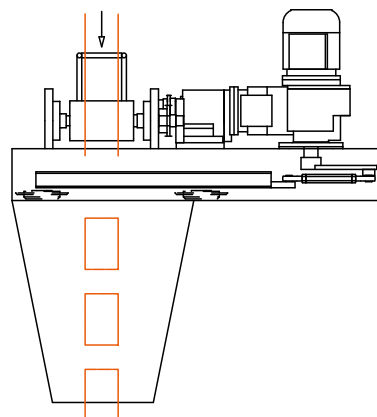
FEATURES & OPTIONS

- Direct driven pull section for selvages
- 2 direct driven circular knives



Edge chopper

M 2460





Fast and robust cutting

The ETF cross cutting unit is a bi-directional fast cross-cutter with a maximum cutting speed of 120 m/min. It perfectly cuts various materials without clamping it. The cutting is based on the scissor-cut principle with 2 sets of driven circular knives. It cuts from left to right and vice versa meaning it doesn't have to move back to its home position after cutting, which saves time.

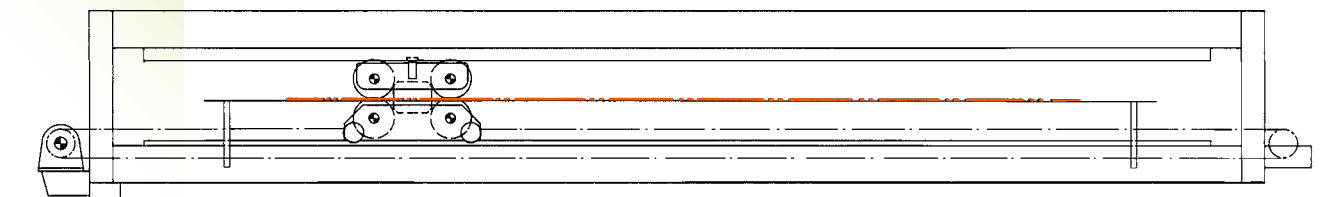
FEATURES & OPTIONS

- Direct driven upper and bottom knives
- Also available as single direction cutting execution



M 2410

Cross cutting unit





Accurate material slitting

The ETF M 2422 slitting unit is a universal longitudinal cutter suitable for cutting various materials. It is based on a scissor-cut principle with 2 circular knives (\varnothing 132 mm) which ensures a perfect cut and a long lifespan.

The ETF M 2425 slitting knife is a universally applicable longitudinal cutter suitable for cutting various materials. It can be used as a hand knife or built onto a machine. The knife consists of a driven blade with a fixed counter-blade, a built on grinding unit and a separate handle, and guarantees you a high quality slit.

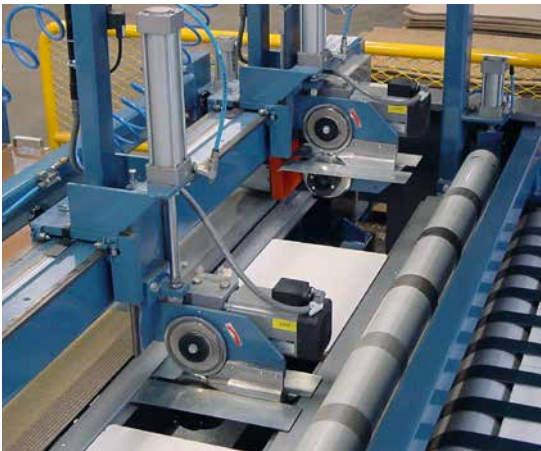
FEATURES & OPTIONS

M 2422

- Driven upper and or bottom knife
- Bottom knife spring loaded against top knife or direct driven
- Manual or pneumatic positioning in and out of the cutting position
- Manual or motor driven width adjustment

M 2425

- Manual or pneumatic positioning in and out of the cutting position
- Manual or motor driven width adjustment

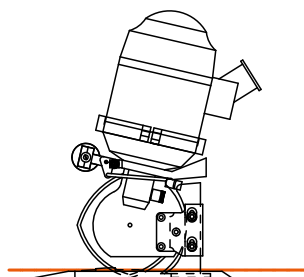
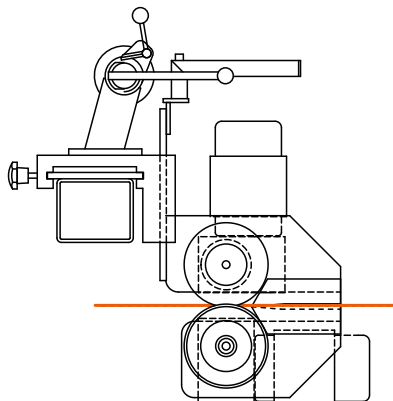


Slitting unit

Slitting knife

M 2422

M 2425





Reliable material slitting

The ETF crush slitter is ideal for continuous cutting applications. The cutting blade is pneumatically pushed to a hardened, driven shaft. The material running in between will be split by crushing it. Due to the metal on metal contact of blade and shaft the edges of the blade do not have to be sharp which guarantees a long lifetime of the blade.

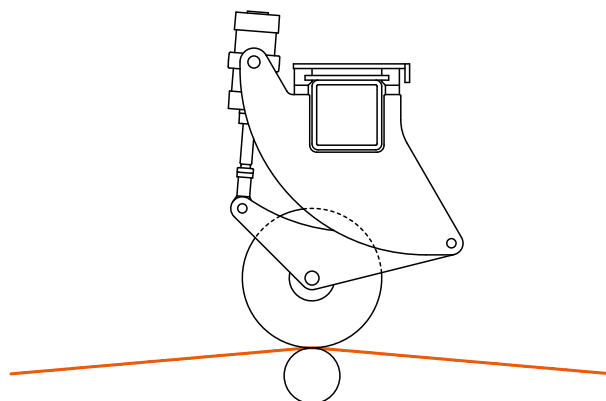
FEATURES & OPTIONS

- Pneumatic positioning in and out of the cutting position
- Slitting to small widths possible
- Manual or motor driven width adjustment
- Long lifetime blades



M 3021

Crush slitter





Sustainable roll end closing

The ETF ultrasonic sealing unit eliminates the need for clips or tape when closing your roll ends. Your PE, PP or other synthetic wrapping materials are sealed with great precision.

We offer a choice for either 50, 75 or 125 cm roll diameters, with a capacity of up to 6 end seals per minute.

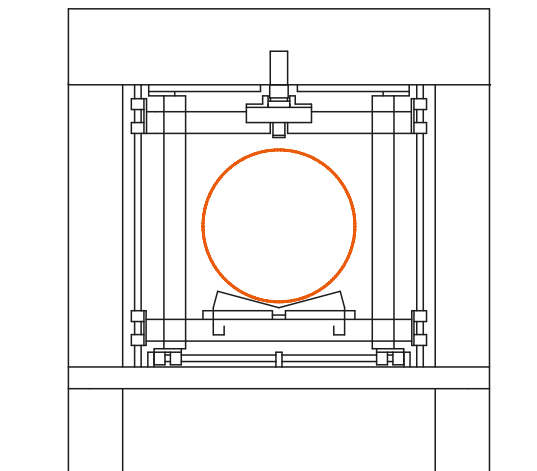
FEATURES & OPTIONS

- Robust construction
- Automatic roll diameter and length detection
- Conveyor belts to forward rolls through the sealing unit



Ultrasonic roll end sealing unit

M 5230





A fully wrapped roll at low costs

The automatic roll wrapping machine is suitable to completely wrap rolls including the roll edges. After wrapping the roll, cardboard discs can be applied to the roll edges and secured by a reinforced tape. This means the wrapped rolls can be stored vertically. With the automatic roll wrapping machine over 60 rolls per hour can be wrapped without operator intervention.

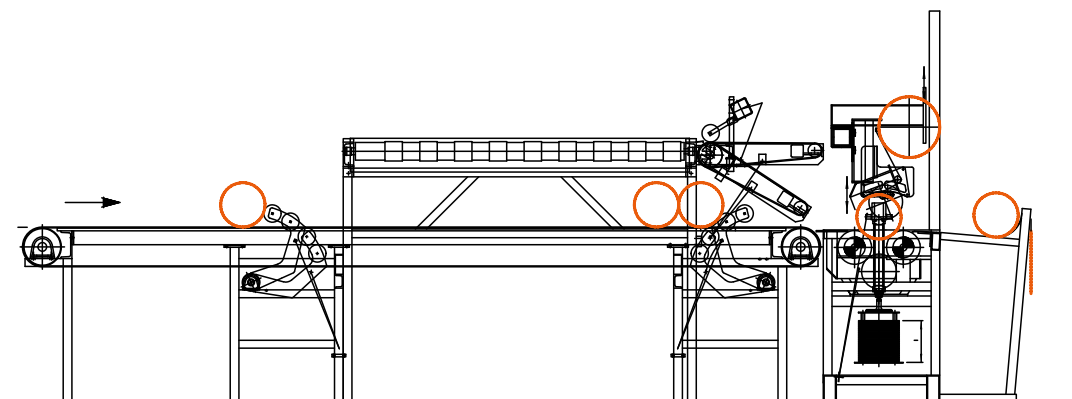
FEATURES & OPTIONS

- Supply / storage table with driven belts
- Rolling unit onto which rolls are wrapped
- Paper dispenser for automatically wrapping the rolls
- Pneumatic positioning of cardboard discs to roll ends
- Folding units to fold paper and tape
- Tape dispensers to apply protective tape to roll edges
- Automatic ejecting of wrapped rolls
- Weighing system



M 6200

Automatic roll wrapping machine





Efficient consumer roll preparation

The ETF rug rolling and wrapping machine is ideally suited for tufted and woven rugs. The machine can roll up to 240 rugs per hour and secures them with either belly bands or a full wrapping. Rugs can be rolled either pile in or pile out, with or without a tube. The machine can be operated by just one operator.

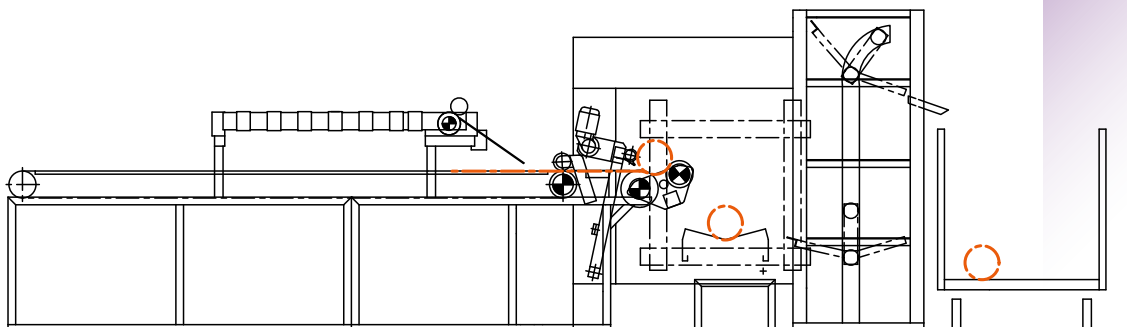
FEATURES & OPTIONS

- Barcode scanner for automatic machine adjusting
- Feed in table with driven belts
- Fully automatic rolling unit
- Automatic film dispenser for either full wrap or belly bands wrapping
- Stretch film dispenser
- Automatic label dispenser
- Automatic roll ejection
- Automatic roll transport system M 5900
- Ultrasonic sealing unit M 5230 to close roll ends automatically
- Automatic roll sorting system M 5940



Rug rolling and wrapping machine

M 5727





Smart add-ons save time and money

For the rolling and wrapping process ETF developed 3 add-ons to optimise your end of backing line. The reliable tape dispenser secures the trailing end of a roll with a number of equally spaced self-adhesive tapes without affecting the tightness of the roll. The tacker beam ensures a secure attachment of wrapping film to the trailing end of a carpet roll using so called tackers (plastic clips) which makes the use of adhesive tape superfluous. If you wish to use a cost saving and environmentally friendly option for closing the wrapped roll ETF offers a thermal seal beam. This beam can be added to your machine to automatically seal the wrapping film over its entire width as a replacement for tape. Also suitable for wrapping split rolls.

FEATURES & OPTIONS

- | | |
|---|--|
| • Automatic closing of large and small diameter rolls | • Secure fixing of wrapping film to the carpet by means of plastic tackers |
| • Tape dispensers can be separately activated | • Closing the wrapping film by means of heat sealing |
| • Quick tape reloading | |



M 2210

Tape dispenser

M 2213

Tacker beam

M 2220

Seal beam



Automatic roll handling

ETF logistic systems increase efficiency and avoid errors in in-house logistic movements between a production line, processing machines, a warehouse and shipping doors. Smart programming done by our own software department ensures a seamless connection with your existing machines and storage systems. When using an ETF logistic system no more forklifts or operators are required to transport the rolls. All logistic systems are made to measure to your specific requirements.

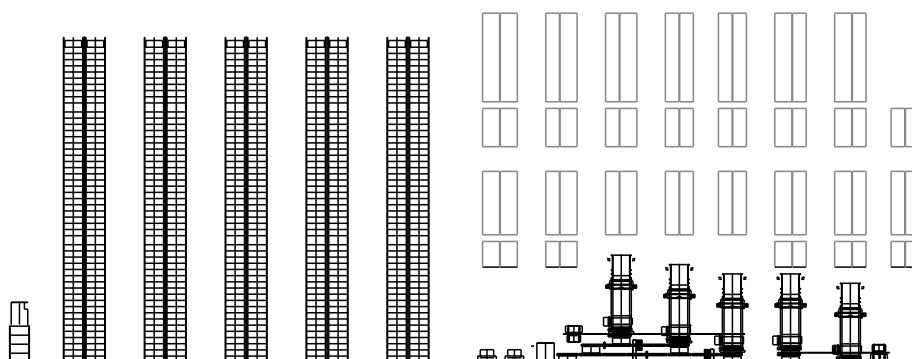
FEATURES & OPTIONS

- Straight, tilting and turning conveyors
- Roll elevators
- Storage tables with driven belts and dosing system
- Ultrasonic roll end sealing unit M 5230
- Roll sorting system M 5940



Logistic systems

M 5900





Efficient roll sorting systems

ETF offers roll sorting systems in various versions. Whether you want to store cut-lengths or rugs in trolleys or racks, our sorting systems handle it very efficiently and are extremely flexible and user friendly. Decreasing labour costs and increasing safety are a direct result of applying a sorting system.

Linking of the ETF sorting system to your warehouse software ensures an insight into the position of rolls for a highly efficient way of loading trucks.

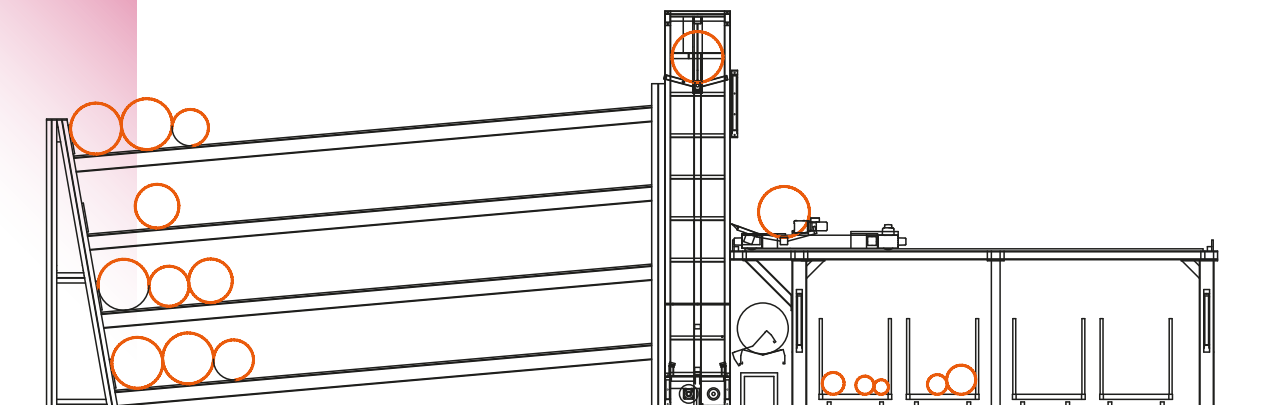
FEATURES & OPTIONS

- Crane system to reduce impact when ejecting heavy rolls
- 360° barcode scanner to automatically determine roll destination from a label



M 5940

Roll sorting systems





... in various ways



Roll sorting systems

M 5940





Customised specials

All ETF machine concepts that are developed for floorcoverings can be applied to different areas. Our imaginative engineering department is excellent at translating your specific requirements into a unique design of a made to measure machine. Everything is possible.

For more than 70 years of manufacturing machines we have built a special designed machine for application in another industry on numerous occasions. Even specials like a pick and place unit and polystyrene forming unit. The processes in floorcovering production are not unique. We are able to translate them into different areas. The examples below illustrate this.

M 6430

Vinyl sawing

The ETF vinyl sawing machine is perfect for cutting 4 meter rolls into e.g. 2+2 meter width rolls or 3+1 meter. The sawing position is supplied with a rolling unit which contributes to fast cycle times.



M 6430 and M 9630

M 9630

Lead slitting & rolling

ETF developed a machine for slitting, cross cutting and rolling of lead, both with or without a tube. This machine is a complete finishing system when delivered with tape dispensers for securing the roll, an on-line weighing and labelling system and an automatic palletising system.





M 5220
Off line wrapping machine artificial grass
ETF Automatic wrapping machine for offline wrapping of mummified rolls of artificial grass with large diameters.



M 5523
Cut & stack
This ETF machine is the best choice for quick and accurate cutting and stacking of non-wovens and synthetic materials such as shammy, household cloth etc.

M 5220, M 5523 and M 6325



M 6325
Re-rolling machine conveyer belt material
The ETF re-rolling machine for conveyer belt material has been developed for re-rolling both lightly woven inlay material and heavy conveyer belt material including automatic transportation and inspection.

Rolling & end-of-line machines

Offline inspection machines

Cutting machines

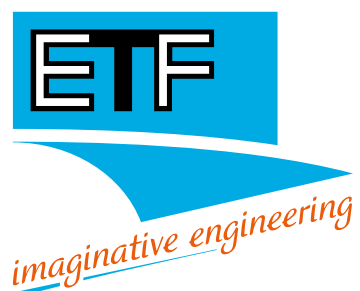
Measuring & detection units

Cutting units

Packaging machines

Logistic systems

Special machines



Want to know more?

 www.etf.nl/machinefabriek
 sales@etf.nl
 +31 (0)495 677000

 **ETF Machinefabriek**
Randweg Zuid 11
6031 SX Nederweert
The Netherlands